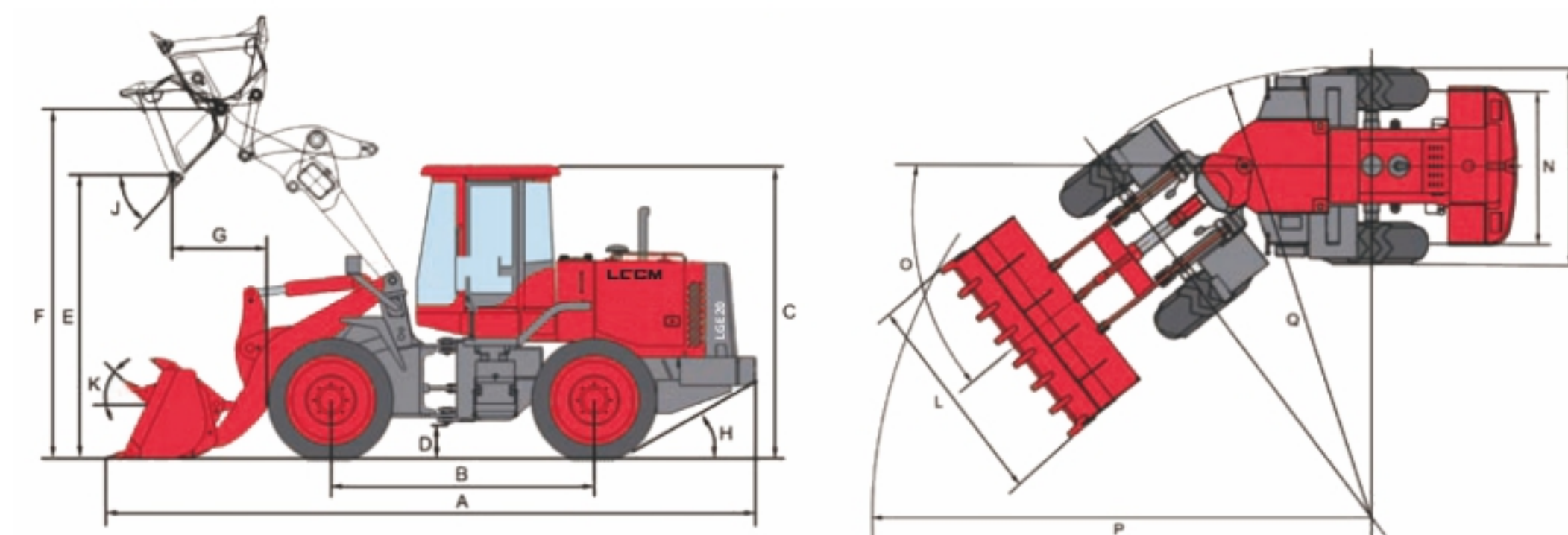


# WHEELLOADER CE SERIES



## MINI WHEEL LOADER Technical parameters



Overall Performance/Models		LGE06	LGE06T	LGE10	LGE10T	LGE15	LGE15T	
Engine Details	Model	Yanmar 3TNV88-BDLW	XINCHAI490 (Euro III)	XINCHAI490 (Euro III)	XINCHAI490 (Euro III)	XINCHAI498 (Euro III)	XINCHAI498 (Euro III)	
	Rated Power	KW	18.9	37	37	42	42	
	Rated Speed	RPM	2200	2650	2400	2650	2400	2400
Operating Specifications	Optional		Kubota (Euro V)	XINCHAI (Euro V)	XINCHAI (Euro V)	XINCHAI (Euro V)	XINCHAI (Euro V)	
	Bucket Capacity	M <sup>3</sup>	0.3	0.48	0.53	0.53	0.6	0.63
	Bucket Width	MM	1136	1530	1580	1580	1740	1800
	Loading Capacity	KG	600	800	1000	1200	1500	1600
	Operation Weight	KG	2000	2100	2700	3300	4000	3850
	Overall Length	MM	4030	4500	4550	5140	5240	5500
	Overall Width	MM	1136	1530	1500	1600	1740	1800
	Overall Height	MM	2499	2450	2490	2670	2500	2700
	Dumping Height	MM	2167	2500	2300	2800	2700	3200
	Wheel Base	MM	1540	1820	2050	2050	1390	2110
Transmission Performance	TRANSMISSION TYPE	TYPE	Automatic	Automatic	Automatic	Automatic	Automatic	
	CONTROL TYPE	TYPE	Joy Stick	Joy Stick	Joy Stick	Joy Stick	Joy Stick	
Brake System	DRIVE BRIDGE	TYPE	Hydraulic	130	130	ISUZU	ISUZU	
	Breakout Force	KN	20.5	22	22	22	36.8	
Tyre	Standard Tyre		10.0/75-15.3	8.25-16	10-16.5	20.5-16	23.5-16	

Notice:  
Due to the continuous updating of products, the pictures and parameters may not be in accordance with the actual object.  
The actual object shall prevail without notice.  
The final interpretation rights belong to Shandong Laigong Machinery Manufacturing Co., Ltd

## OPTIONAL ATTACHMENTS Technical parameters



Steel Grasper



Pallet Fork



3-in-1 Bucket



Euro-grass Grasper



Barrel Grasper



4-in-1 Bucket



Grass Grasper



V-snow Blade



Scraper Bucket



Log Grasper



Sweeper